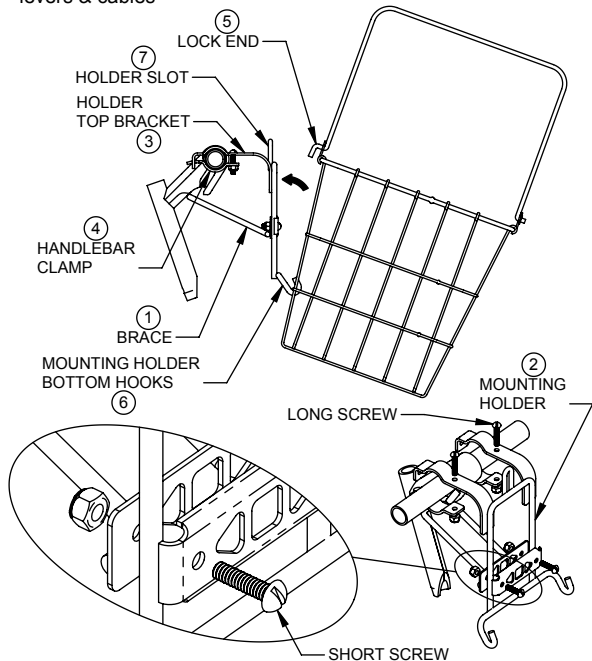


BICYCLE BASKET with handle & mounting holder

- Basket easily removed for carrying
- Sized for grocery bag & many other uses
- Rust resistant durable finish
- Extended Mounting Holder allows clearance for shifters, brake levers & cables



ASSEMBLY INSTRUCTIONS

- Loosely assemble (1) brace onto two vertical side wires of (2) holder with short screws. In most cases brace will be angled upward toward Stem as shown.
- Center holder and hang (3) holder top brackets over handlebar. (If clamping onto 7/8" portion of handlebar, insert rubber spacer strips between holder and handlebar). Loosely assemble two (4) handlebar clamps with long screws.
- Attach basket to holder
 - Hold basket so (5) lock end of handle is toward holder.
 - Center basket with holder and insert lower basket frame wire over bottom hooks of holder as shown.
 - Raise handle upright and insert (5) lock end of handle through (7) slot at top of holder.
 - Lay handle flat to lock.
- Adjust holder (1) brace vertically on holder side wires until basket is in proper position.
- Remove basket from holder
 - Raise basket handle upright.
 - Pull away from holder and lift basket from bottom hooks of holder.
- Tighten all holder fittings securely.



0 46307 31141 8

! WARNING

DO NOT overload basket. Overloading basket may cause difficulty in steering and/or loss of bicycle control which could result in injury.

Mfgr.No.3114GB (Black)
Made in U.S.A. by Wald
© 2009 Wald LLC
Rev.A 4/8/2009